

## Anchor clamp for aluminum conductor

### ~ Applications

Used to anchor aluminum conductors on extra-high-voltage and high-voltage overhead lines.

### ~ Specifications

#### • Types

Anchor clamps for 120-mm<sup>2</sup> or 32-mm<sup>2</sup> conductors depending on the size of an applicable conductor

#### • Structure

An anchor clamp shall be composed of a main body, an aluminum chuck, and accessory parts and shall be in a structure in which a conductor is gripped with the main body and the aluminum chuck to enable the main body to be connected to the insulator.

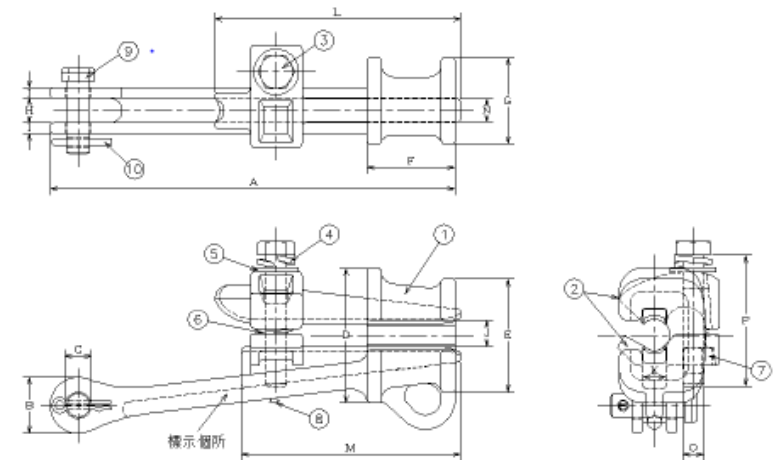
#### • Materials

The main body shall be made of spheroidal graphite cast iron and the aluminum chuck of aluminum alloy, with hot dip galvanizing applied to the main body.

#### • Dimensions

As shown in the standard drawings.

#### • Standard drawings



種 類	型 号	本 体										
		A	B	C	D	E	F	G	H	I	J	K
32mm <sup>2</sup> 用	中 形	190	30	15	60	48	50	38	13	6	14	13
120mm <sup>2</sup> 用	大 形	231	32	15	77	65	50	40	14	6	17	14
公 差		±0.3	±0.2	±0.1	±0.3	±0.3	±0.3	±0.3	±0.1	±0.1	±0.2	±0.2

チキング		ボルト		
L	M	N	O	P
135	125	12	M12	75
140	125	13	M12	75
※1	※3	※2	—	※2